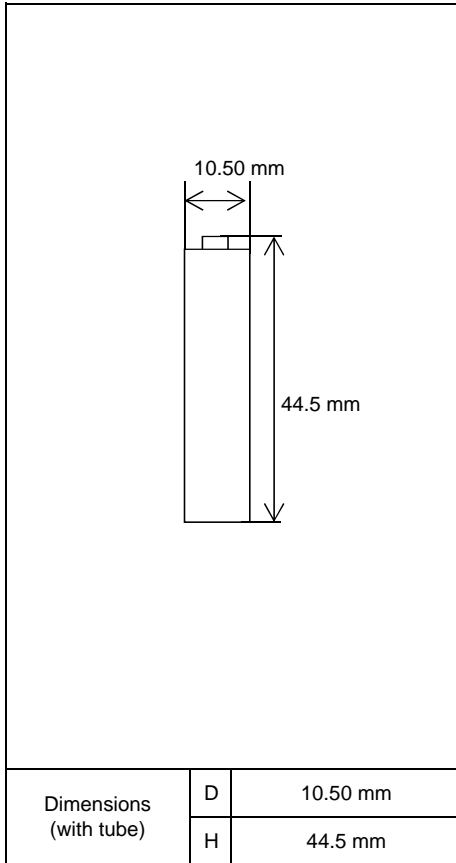


Specifications

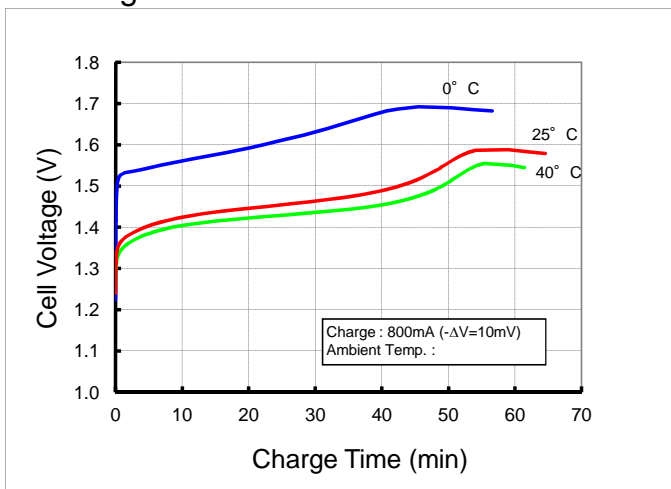


| | | |
|--|---------------------------|--------------------------------------|
| Type : Nickel-Metal Hydride Battery | | Size : AAA Consumer Type |
| Capacity ¹⁾ | Typical | 800mAh |
| | Minimum | 750mAh |
| Nominal Voltage | | 1.2V |
| Charging Current x Time | Fast Charge ²⁾ | 800mA × 1.1h |
| Ambient Temp. | Charge Condition | Fast Charge ²⁾ 0°C - 40°C |
| | Discharge Condition | |
| | 0°C - 50°C | |
| Storage Condition | Less than 90days | -20°C - 40°C |
| | Less than 1year | -20°C - 30°C |
| Internal Impedance ³⁾ (after discharge to E.V.=1.0V) | | Approx. 40m Ω (at 1000Hz) |
| Weight ⁴⁾ | | Approx.13g |
| Size ⁴⁾ :(Diameter) x (Height) | | 10.5(D) x 44.5(H) mm |

- 1)Single cell capacity under the following condition.
Charge : 80mA×16h, Discharge : 160mA(E.V.=1.0V) at 25°C
- 2)Use recommended charging system.
- 3)After a few charge and discharge cycles under the above 1) condition.
- 4)With tube.

Typical Characteristics

Charge



Discharge

